



ALNESS XL – FREE STANDING 4000KG FOUR POST LIFT



Key Features

- FREE STANDING AND EASY TO MOVE
- UNIQUE WRAP ROUND POST DESIGN
- LOW PROFILE DESIGN
- 4000KG OF LIFTING CAPACITY
- INCREASED PARKING HEIGHT



SPECIFICATION

	CONTROL METHOD	ELECTRO-HYDRAULIC
DIMENSIONAL	OVERALL WIDTH	3025 MM
	OVERALL LENGTH	5154 MM
	PLATFORM WIDTHS	475 MM
	PLATFORM LENGTH	4865 MM
	PLATFORM THICKNESS	115 MM
	LIFTING HEIGHT	2164 MM
MECHANICAL	CAPACITY	4000 KG
	LIFTING SPEED	0.08 M/S
	UNIT WEIGHT	1000 KG
	MIN CONCRETE SPEC	6" - 3000 PSI
ELECTRICAL	SUPPLY	240V AC @ 16A
	REQUIRED BREAKER	MOTOR RATED - 'C' RCD
	MOTOR	2.2KW
	SUPPLY	240V SINGLE PHASE



PRODUCT INFO

UNIQUE DESIGN FREE STANDING 4 POST CAR LIFT USING A STRONGER WRAP AROUND POST. THE CROSS BEAM WRAPS AROUND THE POST MEANING THAT THE LIFT REMAINS RIGID.

THIS MEANS THE LIFT IS FREE STANDING AND DOES NOT NEED TO BE BOLTED DOWN TO THE FLOOR. UNIQUE ABILITY TO MOVE THIS LIFT AROUND WITH THE WHEEL KIT PROVIDED.

WITH A LIFTING HEIGHT OF 2164 MM YOU CAN DRIVE IN A 4X4 HEIGHT VEHICLE UNDERNEATH.

LOCKS ARE SIMPLY DISENGAGED BY THE LEVER ON THE END OF THE CROSS BEAM WHEN THE USER WANTS TO GO DOWN.

THE ALUMINIUM LOW PROFILE UP RAMP'S PROVIDED ALLOW LOW CLEARANCE CARS TO ACCESS THE PLATFORMS. ALSO LIGHTWEIGHT AND REMOVABLE FOR EASY STORAGE.

COMES WITH THREE DRIP TRAYS AND A METAL TOOL TRAY THAT HAS A DRAIN PLUG FEATURE.

JACKING BEAM COMPATIBLE THAT CAN BE PURCHASED TO ALLOW A WHEELS OFF PLATFORM FOR INSPECTION AND MAINTENANCE TASKS.

Contact Details

Email sales@sm-eng.co.uk
 Tel 01926 298800
 Web www.sm-eng.co.uk

Location

Based in Warwickshire,
 West Midlands

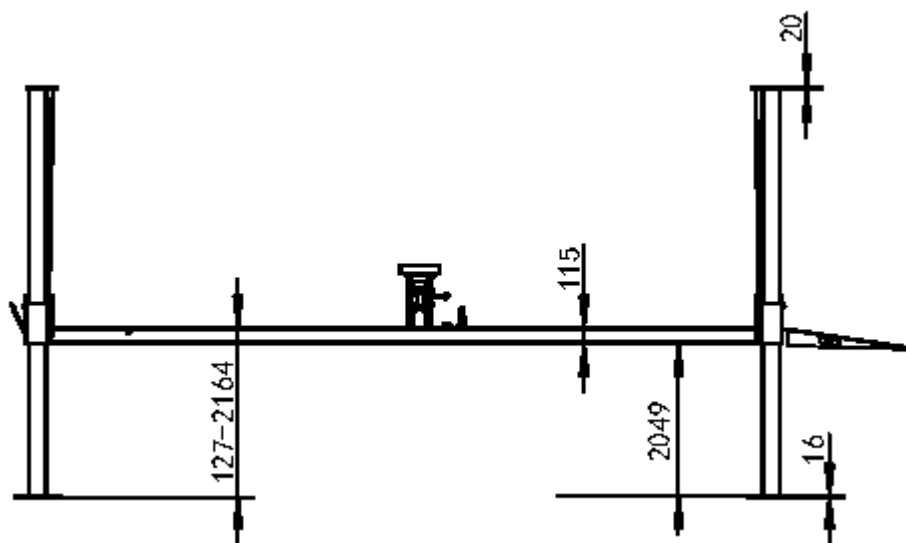
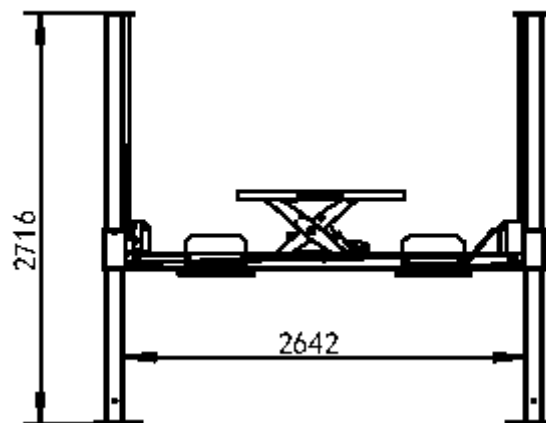
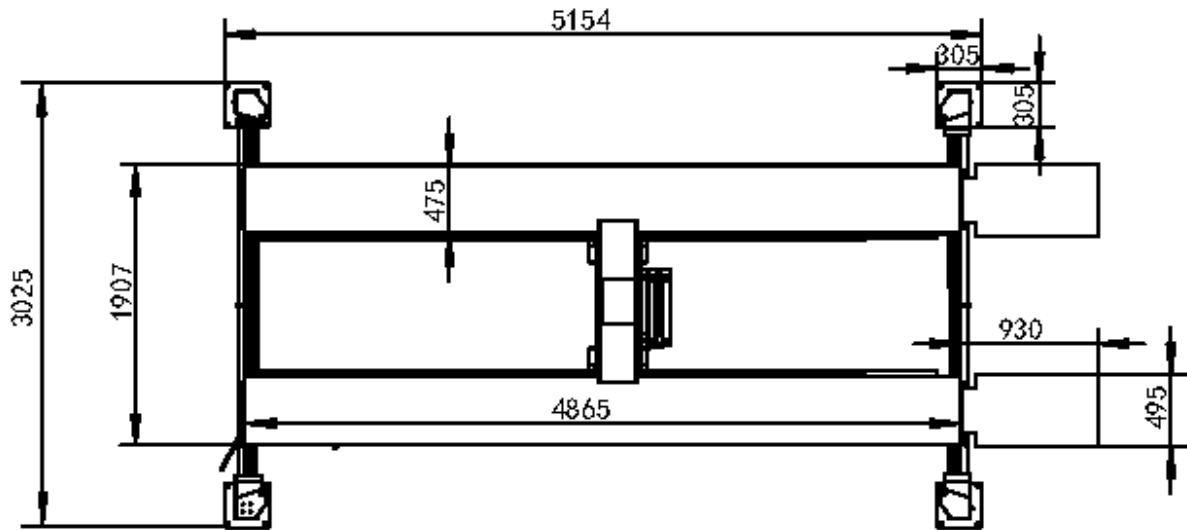


ALNESS XL- FREE STANDING 4000KG FOUR POST LIFT



DIMENSIONS

AERIAL, FRONT AND SIDE VIEW:



Contact Details

Email sales@sm-eng.co.uk
Tel 01926 298800
Web www.sm-eng.co.uk

Location

Based in Warwickshire,
West Midlands



ALNESS XL— FREE STANDING 4000KG FOUR POST LIFT



FEATURES



Contact Details

Email sales@sm-eng.co.uk
Tel 01926 298800
Web www.sm-eng.co.uk

Location

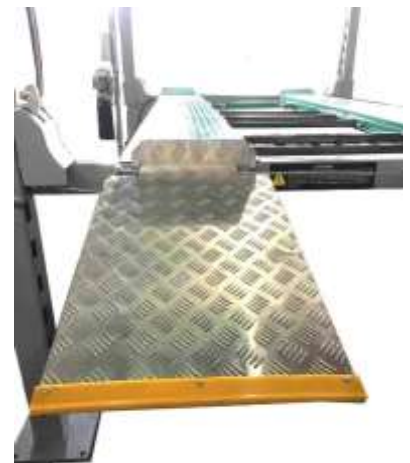
Based in Warwickshire,
West Midlands



ALNESS XL- FREE STANDING 4000KG FOUR POST LIFT



PHOTOS



Note: Designs and dimensions are subject to change without any prior notice.

Contact Details

Email sales@sm-eng.co.uk
Tel 01926 298800
Web www.sm-eng.co.uk

Location

Based in Warwickshire,
West Midlands